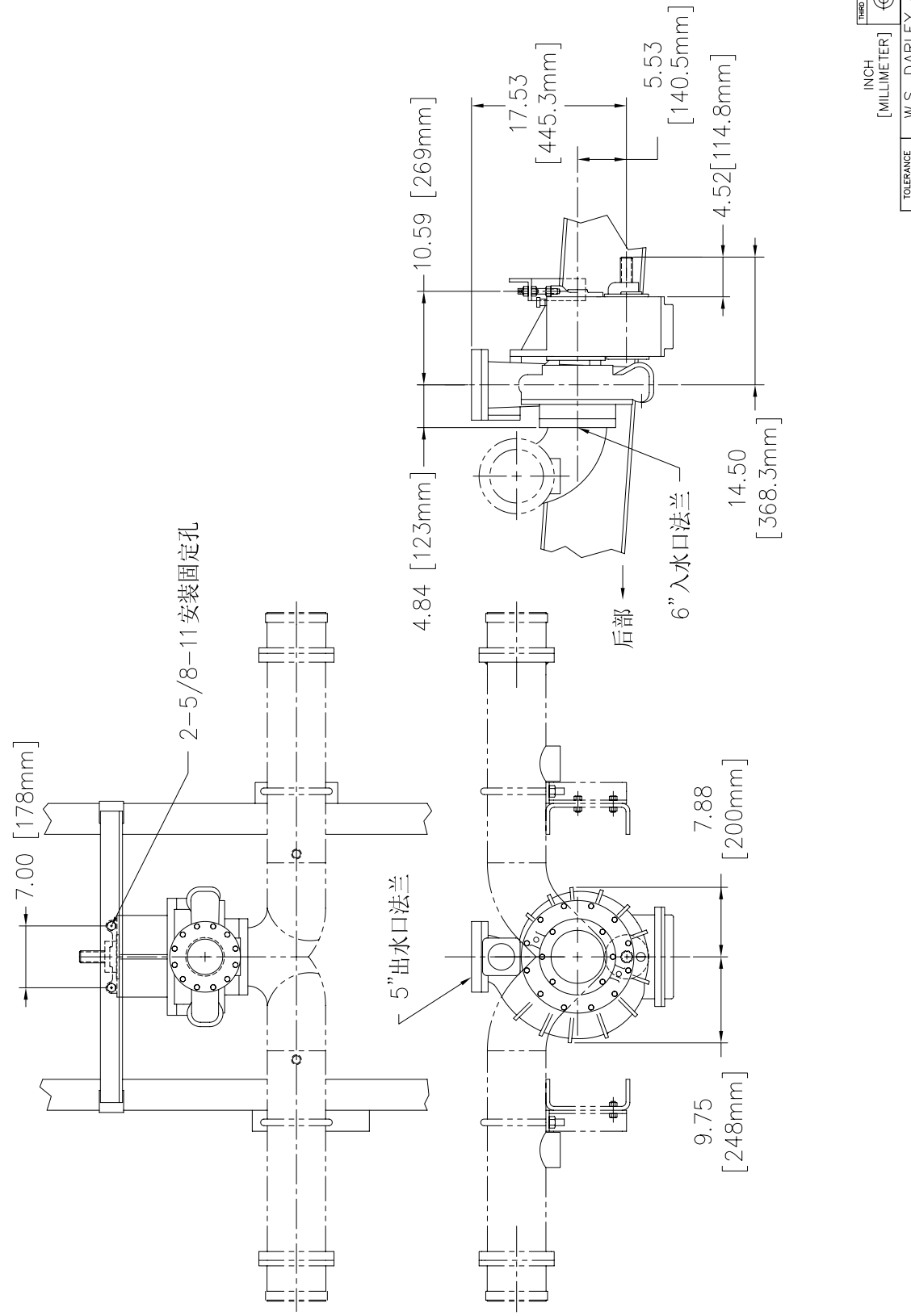


REVISIONS			
LTR	DESCRIPTION	DATE	CHG NO.
B	ADDED DIMENSION OF SHAFT LENGTH	22JAN01	-
C	ADDED HEATER JACKET TAPS	22JAN01	-



THIRD ANGLE PROJECTION	
INCH	[MILLIMETER]
W.S. DARLEY & CO. MELROSE PARK, IL - CHIPPEWA FALLS, WI	
DWG - PSP, 2 GEAR	
DIMENSIONAL	
DATE	MART1,93
SCALE	1/8
DPD0500	

NET WEIGHT:	345 LBS [155 KG]
THIS DESIGN IS THE PROPERTY OF W.S. DARLEY AND CO. UNAUTHORIZED REPRODUCTION IS PROHIBITED.	ALL DIMENSIONS IN INCHES UNLESS NOTED
DO NOT SCALE PRINT	INCH
OLD PART NO.	P218
NEW PART NO.	
REVISED	
DATE	
BY	
CHKD	
APP'D	
TOLERANCE	AS NOTED
FINISH	AS NOTED
SCALE	1/8

PSP 系列消防水泵安装尺寸图